

SERVER®

• E S S E N T I A L S •

Specialty Warmers Dipping Warmers

SPECIFICATION SHEET

FAST FACTS

Dipping Warmers add variety and value to any menu with dipped cones and other treats while also being built for convenience with a hinged lid and flexibility on what food containers can be used with the unit

APPLICATIONS

- Dip ice cream cones, fruits, pretzels and other treats to add flavor variety
- Keeps up to three flavors of cone dip warm all day
- Perfect for LTO flavors and menu items

DETAILS

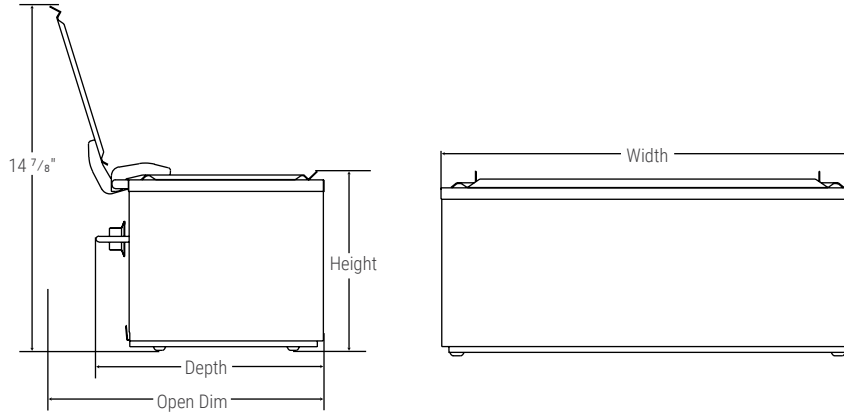
- Increase margins and add variety to your dessert selection – coat treats with up to three flavors
- Hinged lid stays open for dipping convenience
- Flange keeps cone dip container from moving and prevents dip from dripping
- Low-temp heating element eliminates burning – no waterbath needed



Time to layer on the goodness.

DIPPING WARMER MODELS: DI-1, DI-2, & DI-3

Server Dipping Warmer models DI-1, DI-2, and DI-3 are constructed of stainless steel with a hinged lid that stays open while dipping and removable top and bottom panels. The top features a flange to hold cone dip in place and prevent dripping into the unit. A tubular heating element is controlled by an adjustable thermostat and provides heat through natural convection. Temperatures range from ambient to 150°F (66°C). Capacity of #10 manufacturer cans or 3 qt stainless steel jars (not included) indicated by the number following the model. Plug is NEMA 5-15P with 72" cord. NSF listed. Two-year warranty.



amt	model/item	description	capacity	dims (H x W x D)	weight	open dim	plug	voltage	watts/amps
<input type="checkbox"/>	DI-1 92000	(1) can dip warmer	(1) 3 qt	8 1/8" x 7 5/8" x 9 11/16"	7 lb	11"			100W .8A
<input type="checkbox"/>	DI-2 92020	(2) can dip warmer	(2) 3 qt	8 1/8" x 14 5/8" x 9 7/16"	9 lb	10 3/4"		120 AC	120W 1A
<input type="checkbox"/>	DI-3 92040	(3) can dip warmer	(3) 3 qt	8 1/8" x 21 5/8" x 9 7/16"	11 lb	10 3/4"			180W 1.5S

ACCESSORIES

amt	item	description
<input type="checkbox"/>	94009	stainless steel jar, 3 qt
<input type="checkbox"/>	94008	storage lid, stainless steel jar

RELATED PRODUCTS

82060 SINGLE TOPPING WARMER

Serve consistent portions of warm dessert topping from a 3 qt jar, #10 topping can or 48 oz pouch with Can2Pouch conversion kit.



81184 CAN2POUCH™ KIT

Reduce packaging and food waste; dispense with a pouch using our Can2Pouch™ Conversion Kit.



81140 SUPREME® HOT TOPPING MERCHANDISERS

Server Supreme® Hot Topping Merchandisers help you keep food costs and concession lines under control. Display and warm fudge, caramel and cheese sauce without the risk of scorching.



DIP DESSERTS AND BOOST PROFITS WITH CONE DIP WARMERS
SERVER-PRODUCTS.COM | 800.558.8722 | 262.628.5600